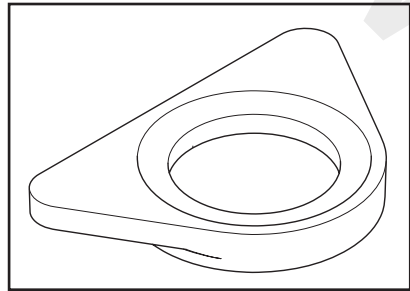
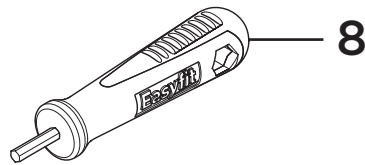


Product Code: CRM EFSNK C
Revision: D2

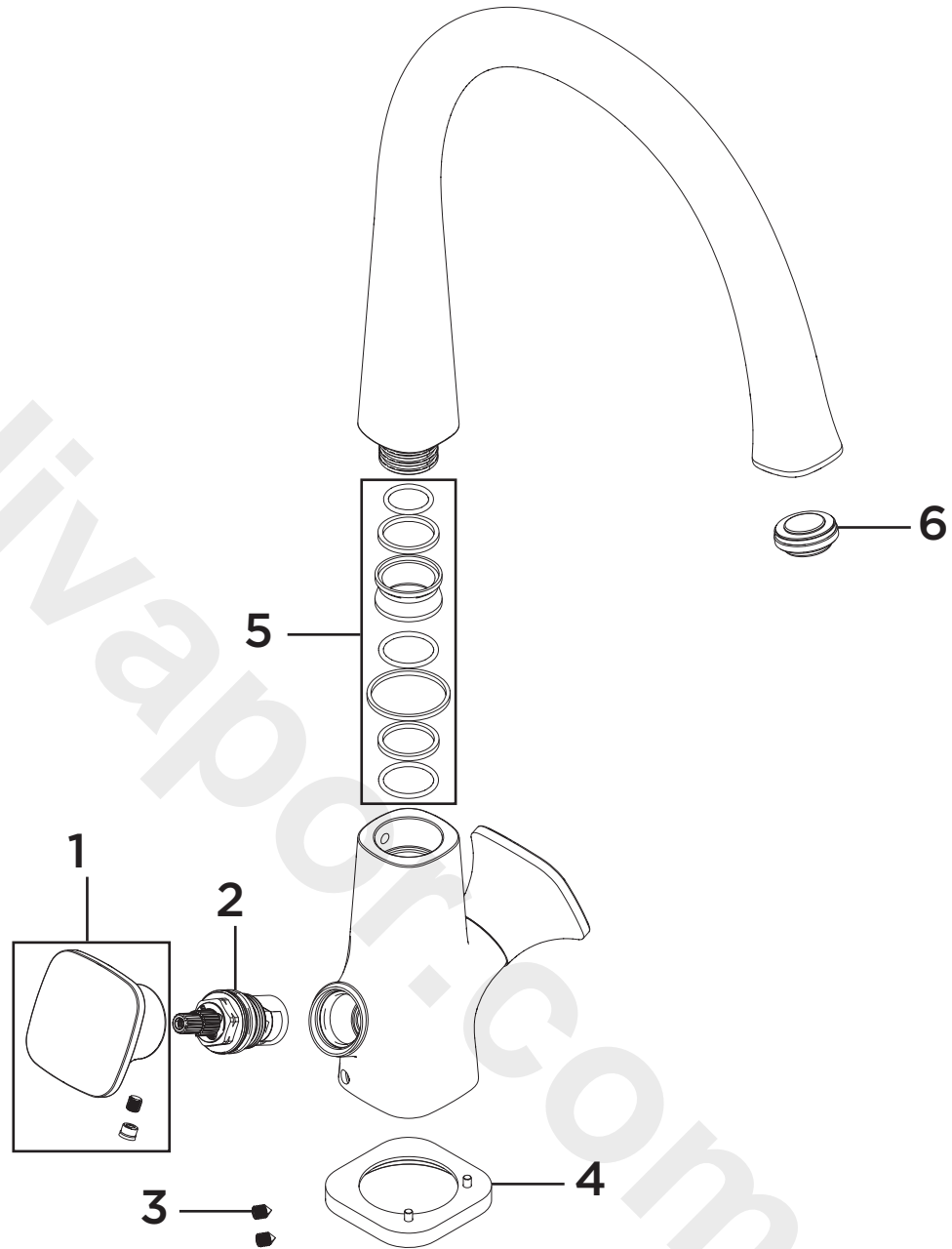


7

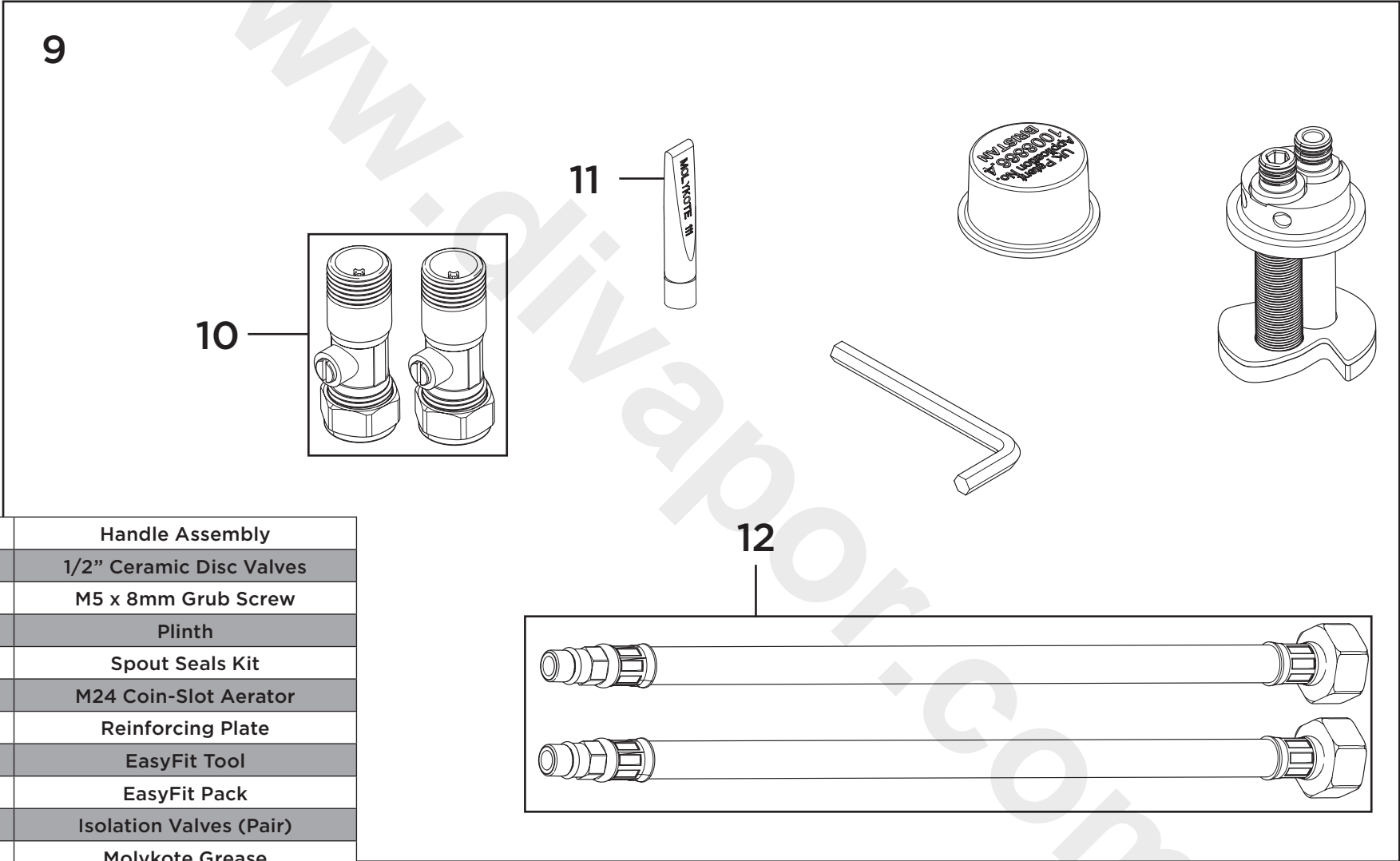


8

1	Handle Assembly
2	1/2" Ceramic Disc Valves
3	M5 x 8mm Grub Screw
4	Plinth
5	Spout Seals Kit
6	M24 Coin-Slot Aerator
7	Reinforcing Plate
8	EasyFit Tool
9	EasyFit Pack
10	Isolation Valves (Pair)
11	Molykote Grease
12	1/2" BSP Flexible Tails (Pair)



Product Code: CRM EFSNK C
Revision: D2



1	Handle Assembly
2	1/2" Ceramic Disc Valves
3	M5 x 8mm Grub Screw
4	Plinth
5	Spout Seals Kit
6	M24 Coin-Slot Aerator
7	Reinforcing Plate
8	EasyFit Tool
9	EasyFit Pack
10	Isolation Valves (Pair)
11	Molykote Grease
12	1/2" BSP Flexible Tails (Pair)